

KITZ

ASEAN

NEW PRODUCT **Brass Gate Valve, PN16**



Model : FHK

**Forged Brass, Full-bore,
Non Rising Stem**

KITZ ASEAN Brass Gate Valve

Features

- Screwed End Rc Thread
- Forged Brass
- Non Rising Stem
- Hand - wheel operation

Specification

Size Range : DN15 - DN50 (1/2" - 2")

Pressure : PN16

Temperature : -10 ~ 100°C

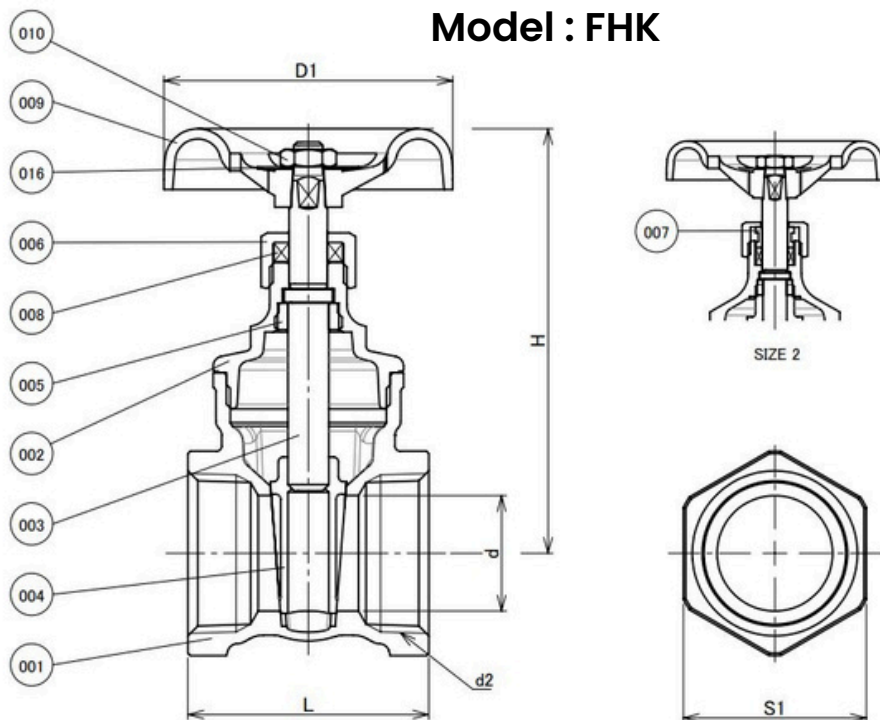
Fluid : Water / Air

Material

NO.	PARTS NAME	MATERIAL
001	BODY	BRASS C3771
002	BONNET	BRASS C3771
003	STEM	BRASS C3531
004	DISC	BRASS C3771
005	LOCK NUT	BRASS C3604
006	PACKING NUT	BRASS C3771
007	GLAND	BRASS C3604
008	GLAND PACKING	NON-ASBESTOS PACKING
009	HANDWHEEL	ALUMINIUM DIE-CAST
010	WHEEL NUT	CARBON STEEL
016	NAME PLATE	ALUMINIUM



Model : FHK



Dimensions

Unit : mm.

NORMINAL SIZE		d	d2	H	D1	L	S1
A	B						
15	1/2	13	Rc 1/2	67	50	40	26
20	3/4	19	Rc 3/4	77	55	45	31
25	1	24	Rc 1	85	60	48	38
32	1 1/4	31	Rc 1 1/4	104	70	57	47
40	1 1/2	36	Rc 1 1/2	116	80	60.5	54
50	2	46	Rc 2	144	90	70.5	67